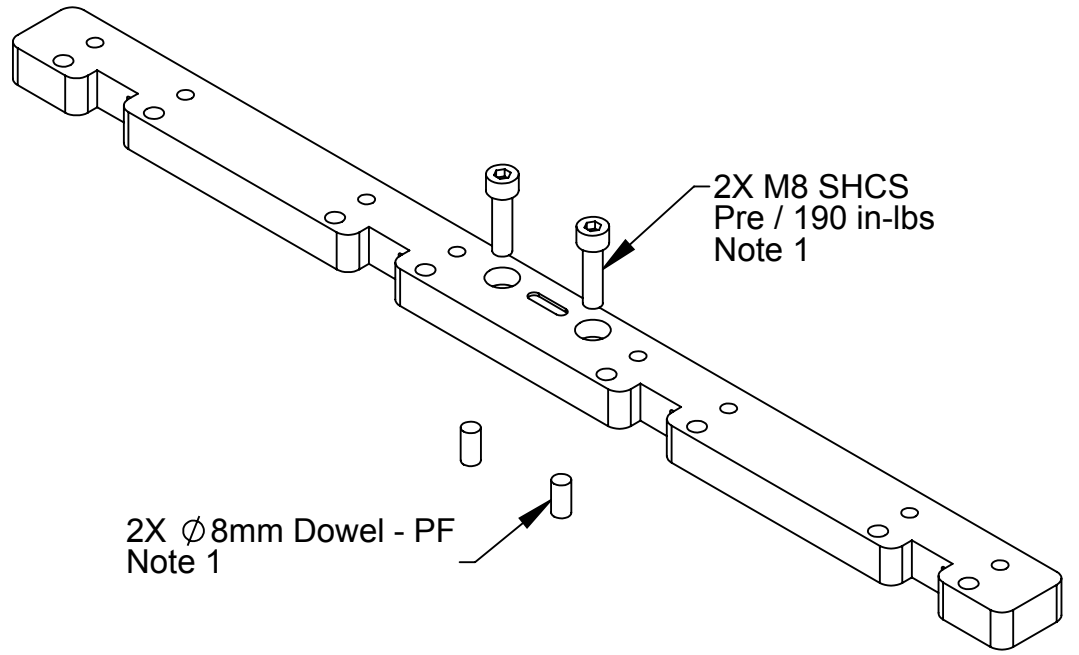
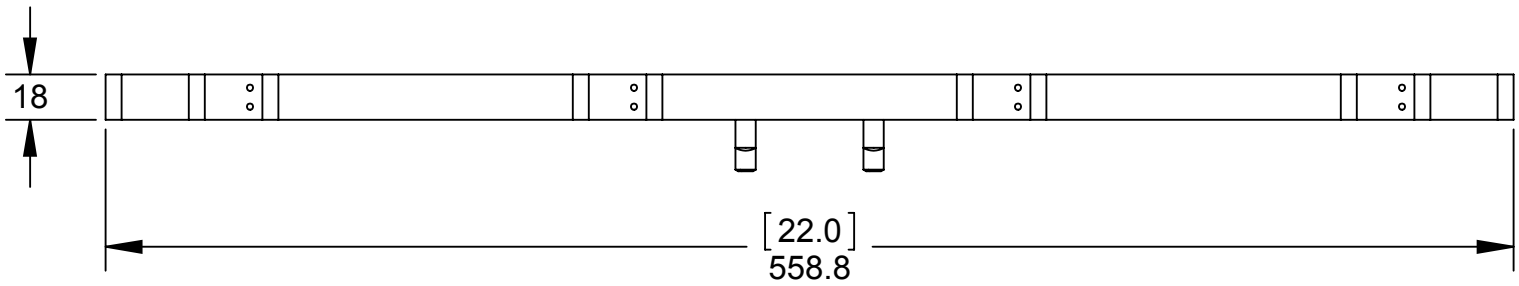
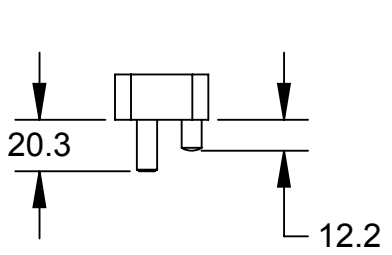


Rev.	Description	Initiator	Date
01	Initial Drawing	JDB	09/13/2013



- Notes:
- Customer to install fasteners and torque to listed value.

ITEM NO.	QTY.	PART NUMBER	DESCRIPTION
1	1	9120-TSS-TB-3431	TSS Tool Bar - 4 Position

NOTES: UNLESS OTHERWISE SPECIFIED. DO NOT SCALE DRAWING. ALL DIMENSIONS ARE IN MILLIMETERS.			1031 Goodworth Drive, Apex, NC 27539, USA Tel: +1.919.772.0115 Email: info@ati-ia.com Fax: +1.919.772.8259 www.ati-ia.com ISO 9001 Registered Company		
	DRAWN BY: D.Brewer, 9/20/13 CHECKED BY: J. Winterroth, 10/30/13		PROPERTY OF ATI INDUSTRIAL AUTOMATION, INC. NOT TO BE REPRODUCED IN ANY MANNER EXCEPT ON ORDER OR WITH PRIOR WRITTEN AUTHORIZATION OF ATI.		
3rd ANGLE PROJECTION		TITLE TSS Tool Bar - 4 Position			
PROJECT #	SHEET 1 OF 1	SCALE 1:3	SIZE B	DRAWING NUMBER 9630-20-TSS-TB-3431	REVISION 01